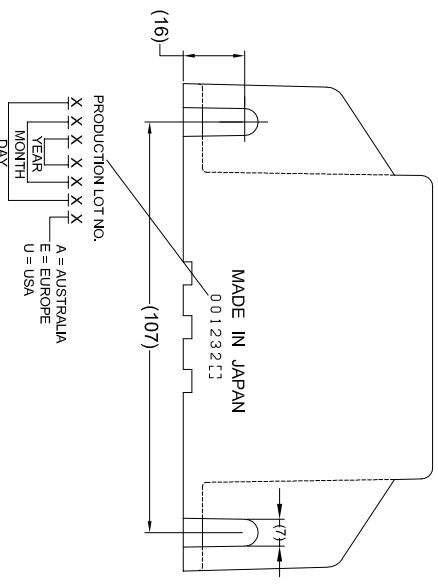
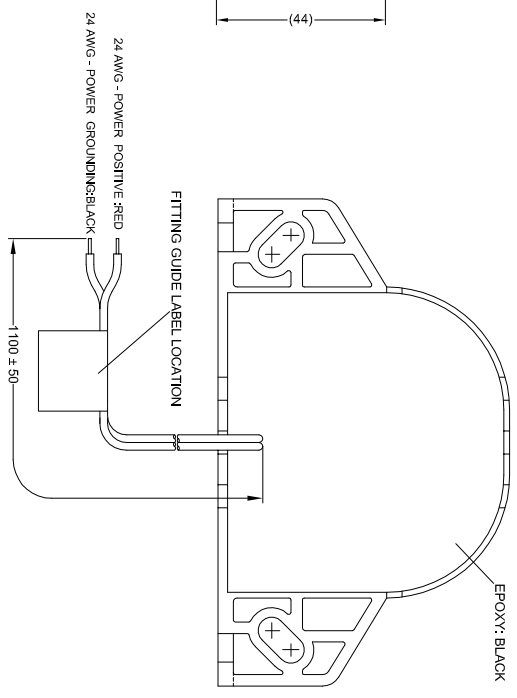
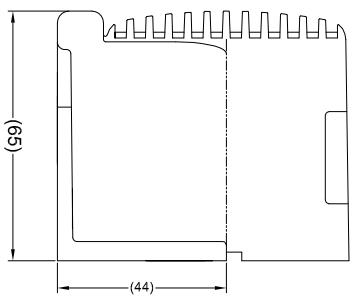
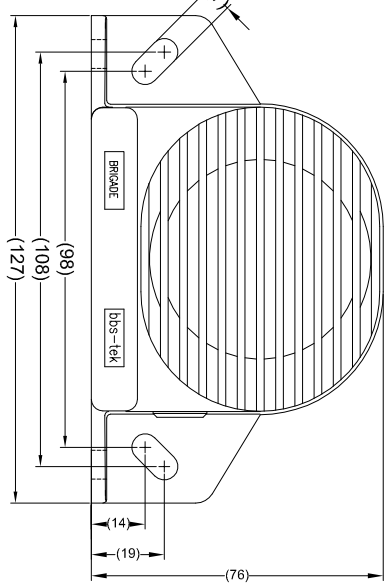
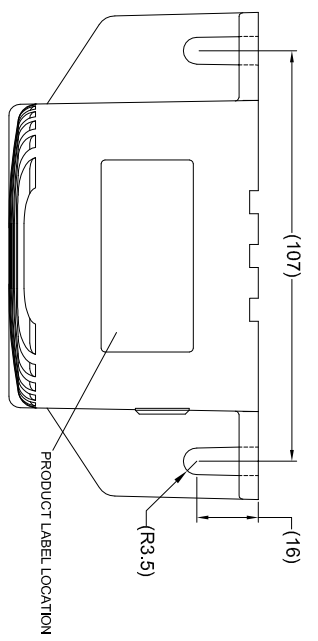


Revision Notes			
R1 - DRAWING UPDATED TO INCLUDE LABEL DETAILS IN NOTES.			
APR: KILDA	Drawn: RATES	Checked: A.FEDERIGHI	Approved: G.PILTI Date: 27/01/16
R2 - NOTES UPDATED TO INCLUDE LABEL DETAILS. STANDARDS UPDATED AS PER ECR CR-A274.			
APR: KILDA	Drawn: RBATES	Checked: MBUTLER	Approved: G.PILTI Date: 28/08/16
R3 - DIMENSION CORRECTED FROM 1000±50 TO 1100±50 AS PER Q1826			
APR: MWATANABE	Drawn: WBEAZLEY	Checked: DRICHARDSON	Approved: DWALLIN Date: 15/04/2016



- SPECIFICATION:
- 1) RATED VOLTAGE: 36 ~ 84 VOLTS DIRECT CURRENT (WORKING VOLTAGE RANGE 28~112 VOLTS)
  - 2) RATED CURRENT: 0.115 AMPERES OR LESS
  - 3) SOUND PRESSURE 87.4 DECIBELS AT TEST VOLTAGES OF 42-96 VOLTS (AS MEASURED AT A DISTANCE OF 1.2 METERS AND AT A HEIGHT OF 1.2 METERS ABOVE THE GROUND)
  - 4) INTERMITTENCE: 80±10 CYCLES PER MINUTE AT TEST VOLTAGES 42-96 VOLTS.
  - 5) TONE: WHITE SOUND.

- NOTES:
1. FOR PRODUCT LABEL REFER TO LATEST REVISION OF DRAWING BE-002833-XX-14.
  2. FOR GIFTBOX LABEL REFER TO LATEST REVISION OF DRAWING BE-002834-XX-14.
  3. "R TRIANGLE" INDICATES CHANGES MADE TO REVISION AS IDENTIFIED IN REVISION NOTES.

PROPRIETARY NOTICE  
 THIS DESIGN AND TECHNICAL INFORMATION APPEARING ON THIS DRAWING IS THE PROPERTY OF BRIGADE ELECTRONICS, AND IS DISCLOSED IN CONFIDENCE. IT IS NOT TO BE COPIED, REPRODUCED, REVEALED TO OR EXPLOITED BY OTHERS, EITHER IN WHOLE OR IN PART WITHOUT THE EXPRESS WRITTEN CONSENT OF BRIGADE ELECTRONICS.



 Third Angle	Assembly PI Approval M.WATANABE	Approved by DKERAI	Checked by DKERAI	Drawn by DKERAI
	Angle of Projection	Units mm	Scale N/A	Released 18/02/05
	Status RELEASED	BBS-87HV		
	Part No #1323	BE-000197-03-04		